

FRAME

COVER SKETCH

SS20



FRONT

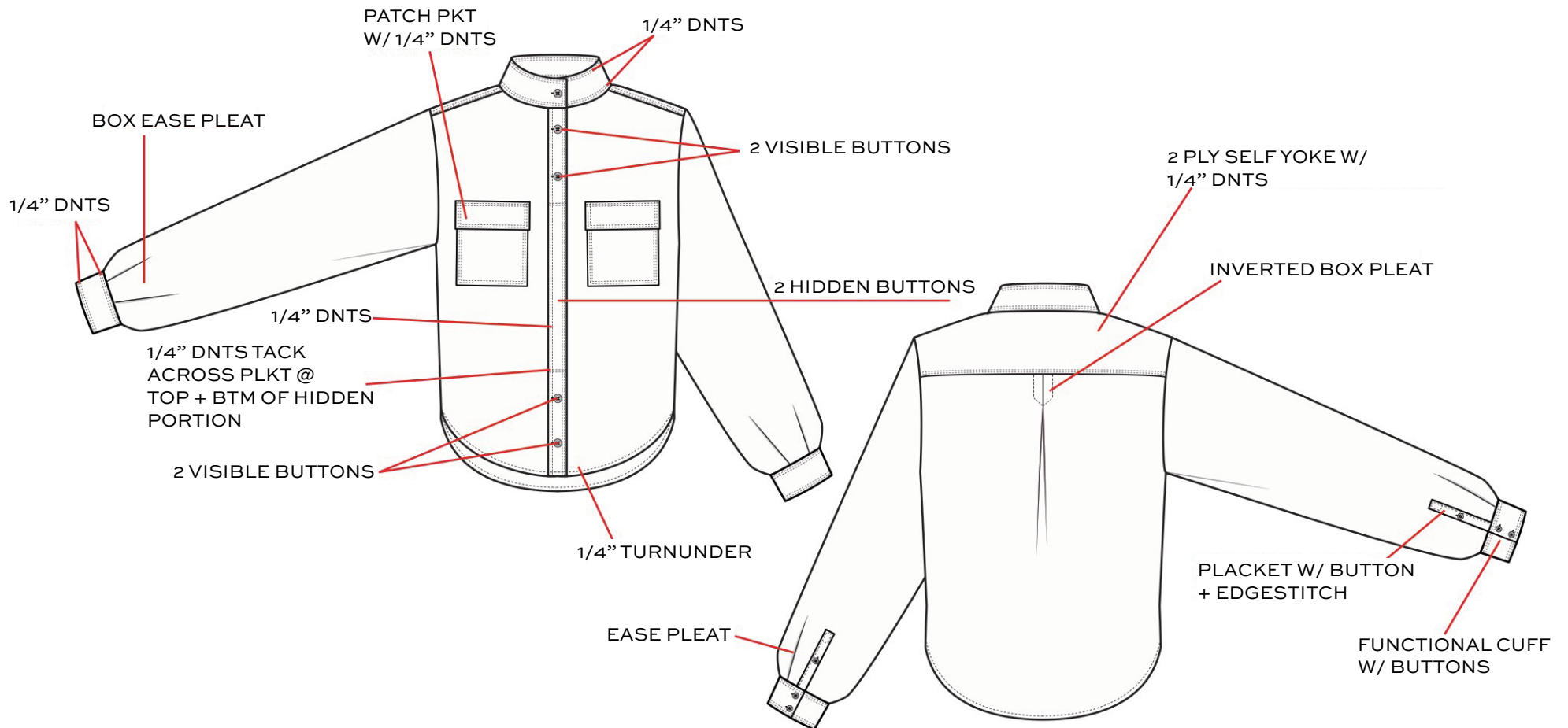
BACK

FRAME

CONSTRUCTION CALLOUTS

SS20

- *UNLINED SHIRT
- *FUSE COLLAR PLACKET CUFF



FRAME

TREND INSPIRATION

SS20



FEMININE BLOUSE

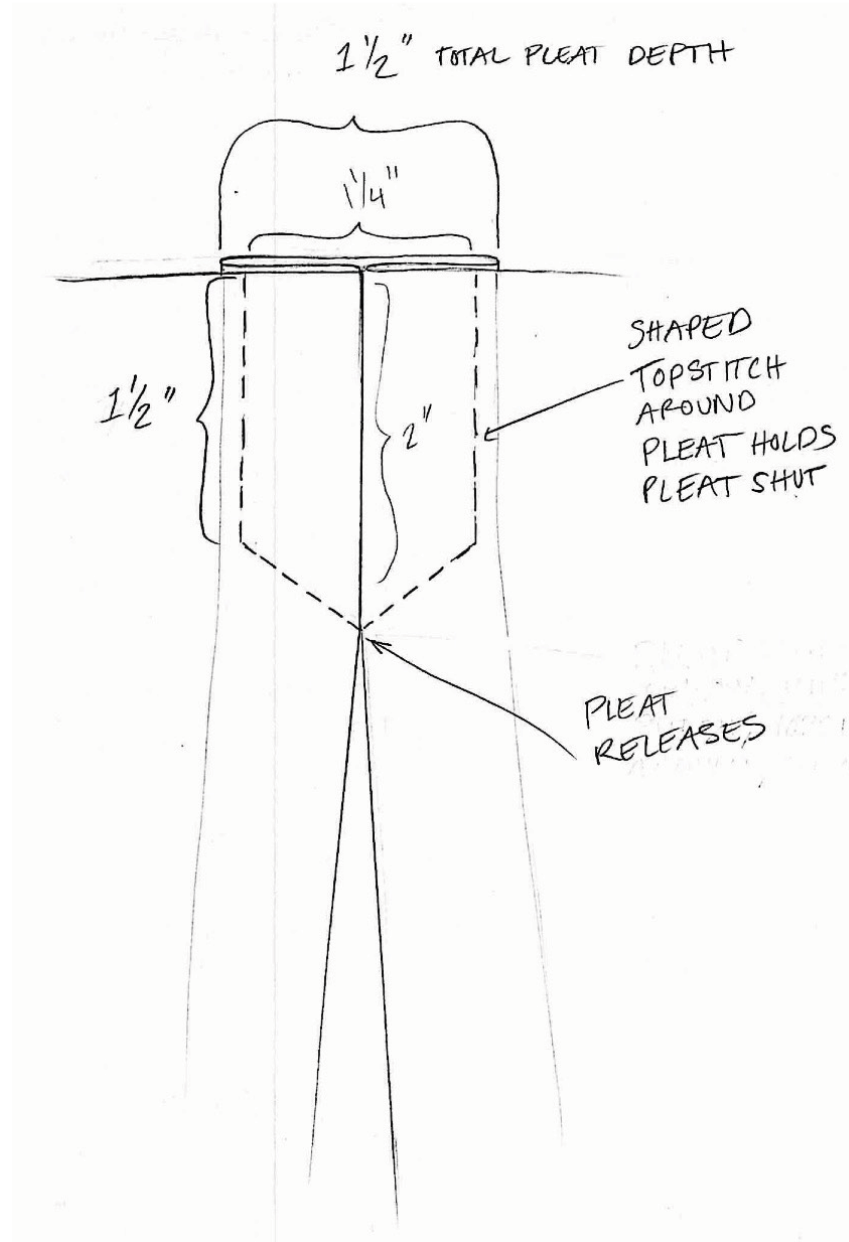


UNDONE BUTTON
DOWN



HIGH NECK

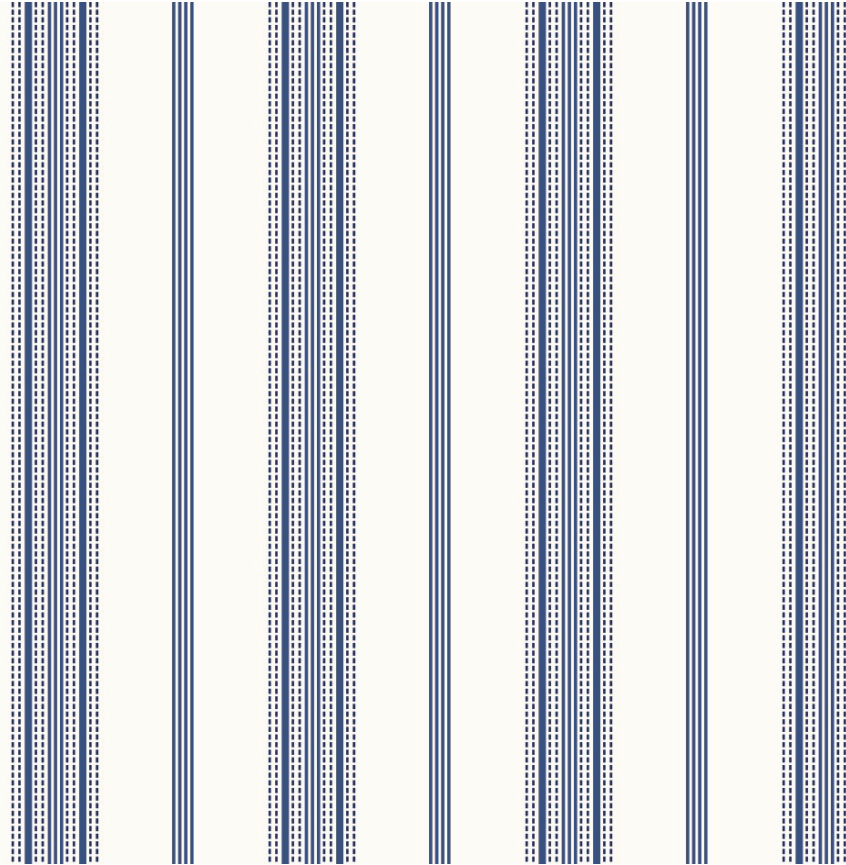
CB PLEAT DETAIL



FRAME

ARTWORK/PRINT

SS20



OFF WHITE MULTI
SURFER STRIPE

FRAME

PRINT PLACEMENT

SS20

